

(i) REQUIRED WITH SPRAYED POLYURETHANE FOAM APPLIED ON SELF-ADHESIVE MEMBRANES, UNDER CERTAIN CONDITIONS. SEE A SOPREMA REPRESENTATIVE.

(ii) REQUIRED WITH MOISTURE SENSITIVE INSULATION

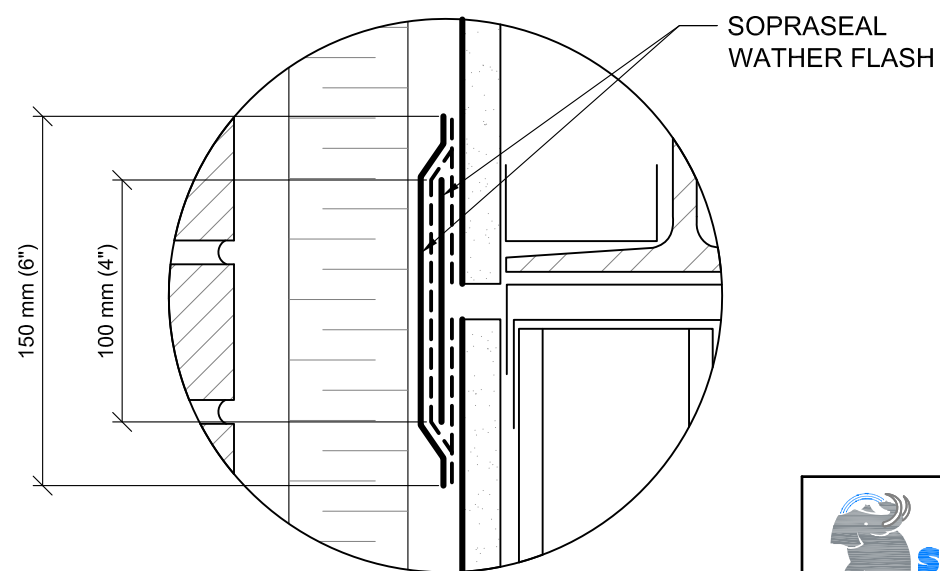
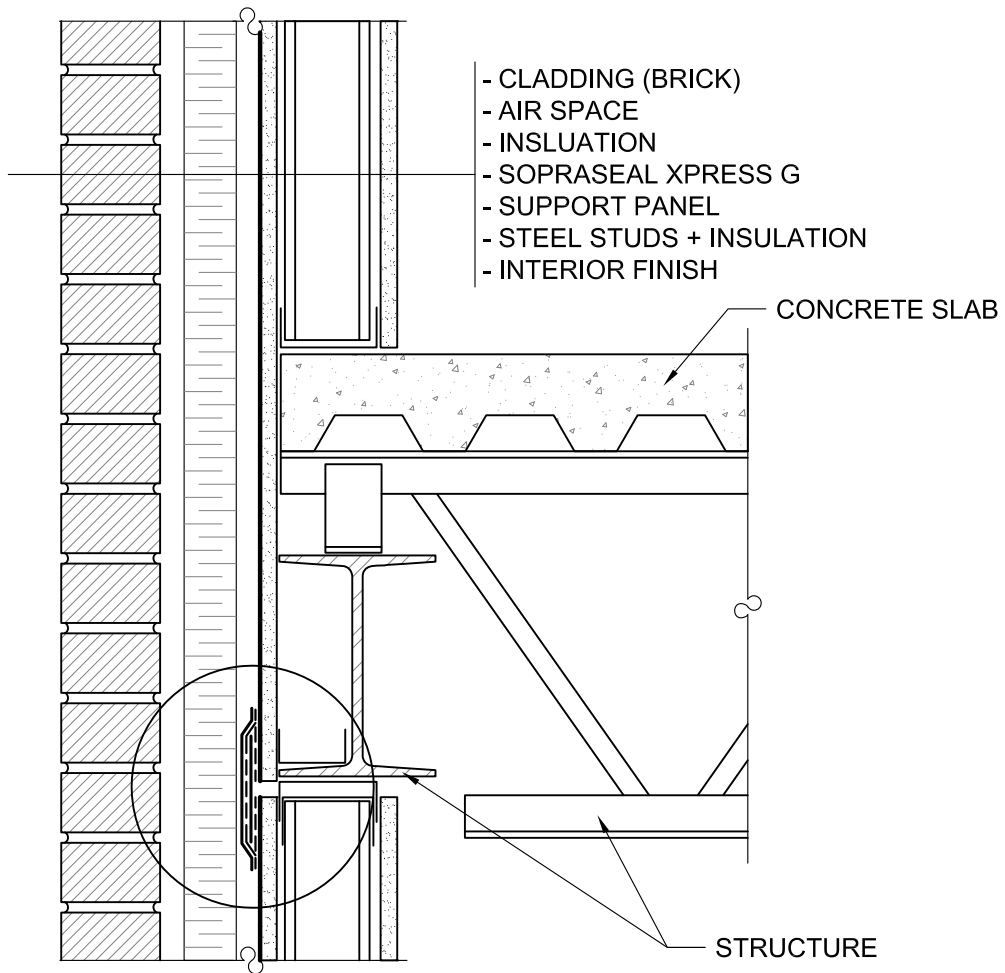
COPYRIGHT 2013 SOPREMA



1688, J-B Michaud  
 Drummondville, QC J2C 8E9  
 WWW.SOPREMA.CA

TITLE: WALL FONDATION JUNCTION

PROJECT:		DRAWING NUMBER:
SCALE: (N.T.S.)	DATE: 2013-06-27	SXG-01

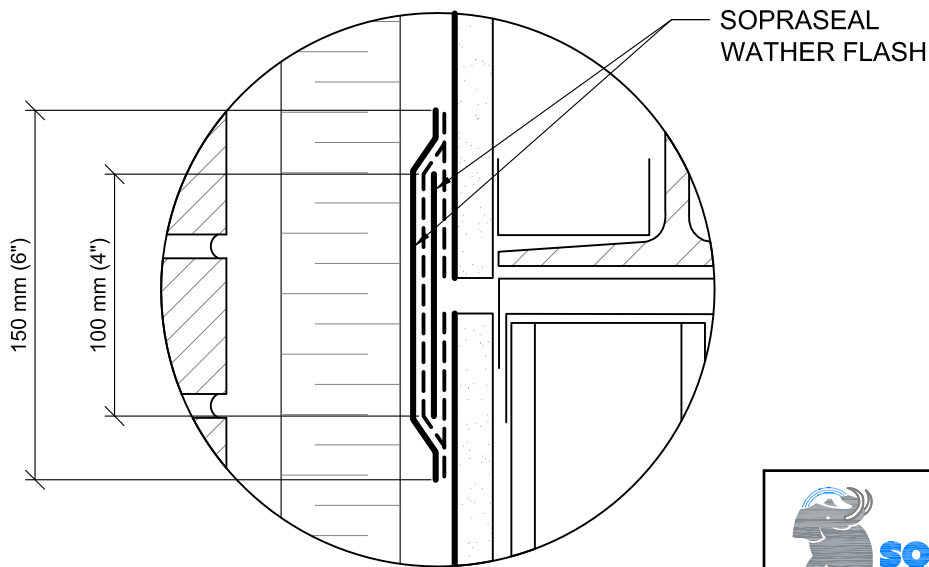
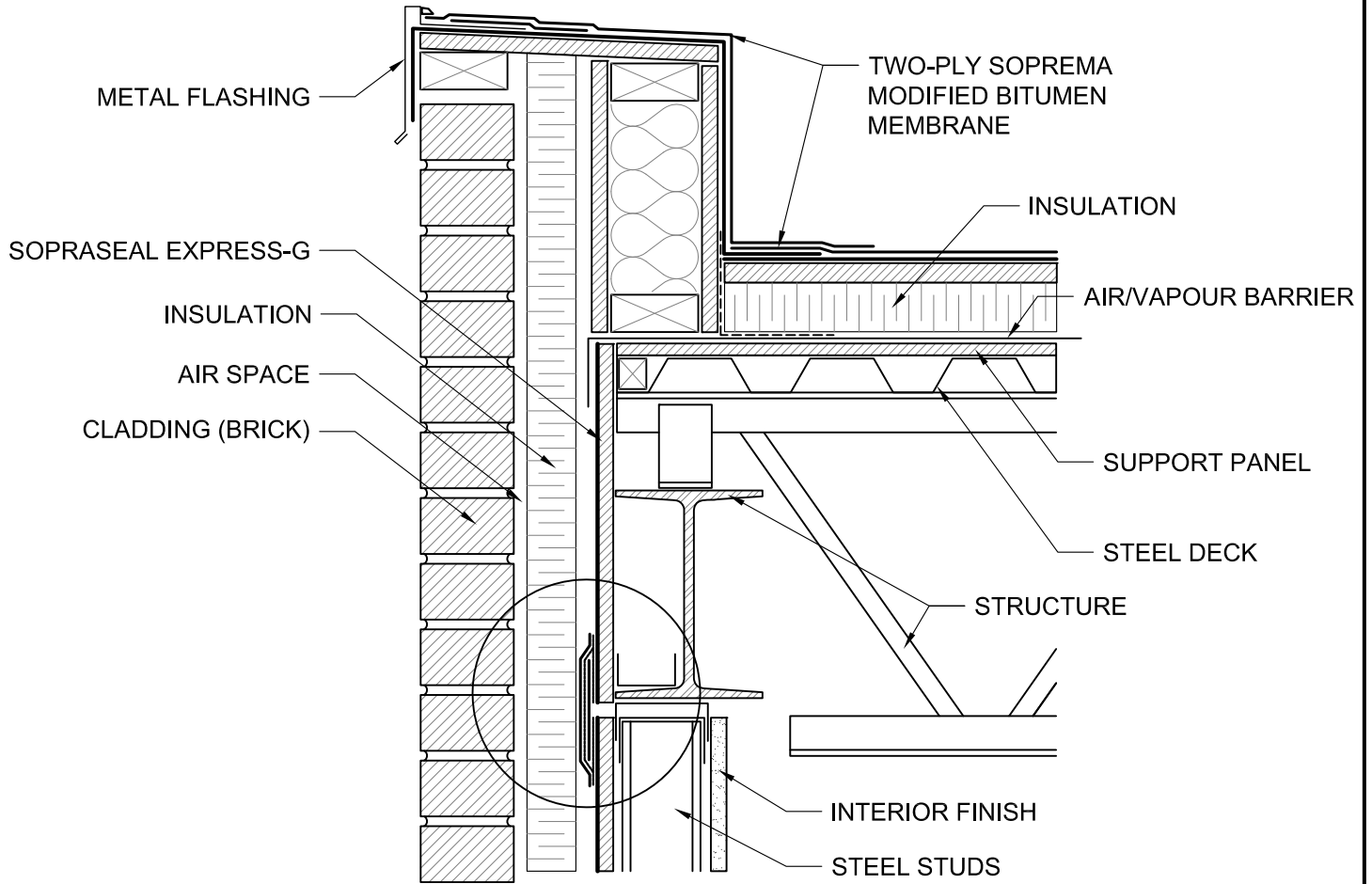


COPYRIGHT 2013 SOPREMA



1688, J-B Michaud  
 Drummondville, QC J2C 8E9  
 WWW.SOPREMA.CA

TITLE:		INTER-STORY CONNECTIONS	
PROJECT:		DRAWING NUMBER:	
SCALE:	(N.T.S.)	DATE:	2013-06-28
			SXG-02



COPYRIGHT 2013 SOPREMA



**SOPREMA**

1688, J-B Michaud  
 Drummondville, QC J2C 8E9  
 WWW.SOPREMA.CA

TITLE: ROOF / WALL

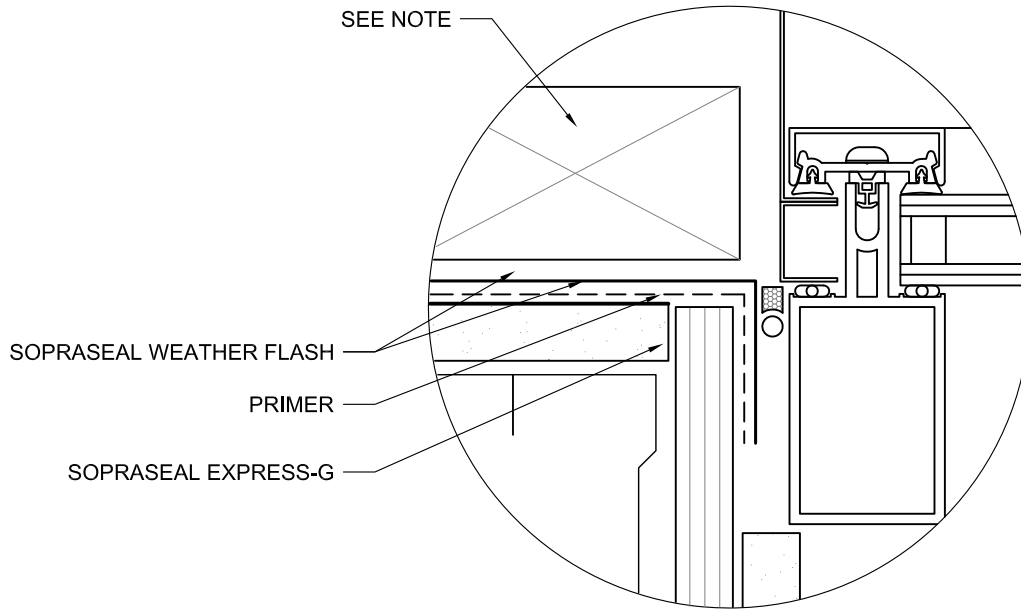
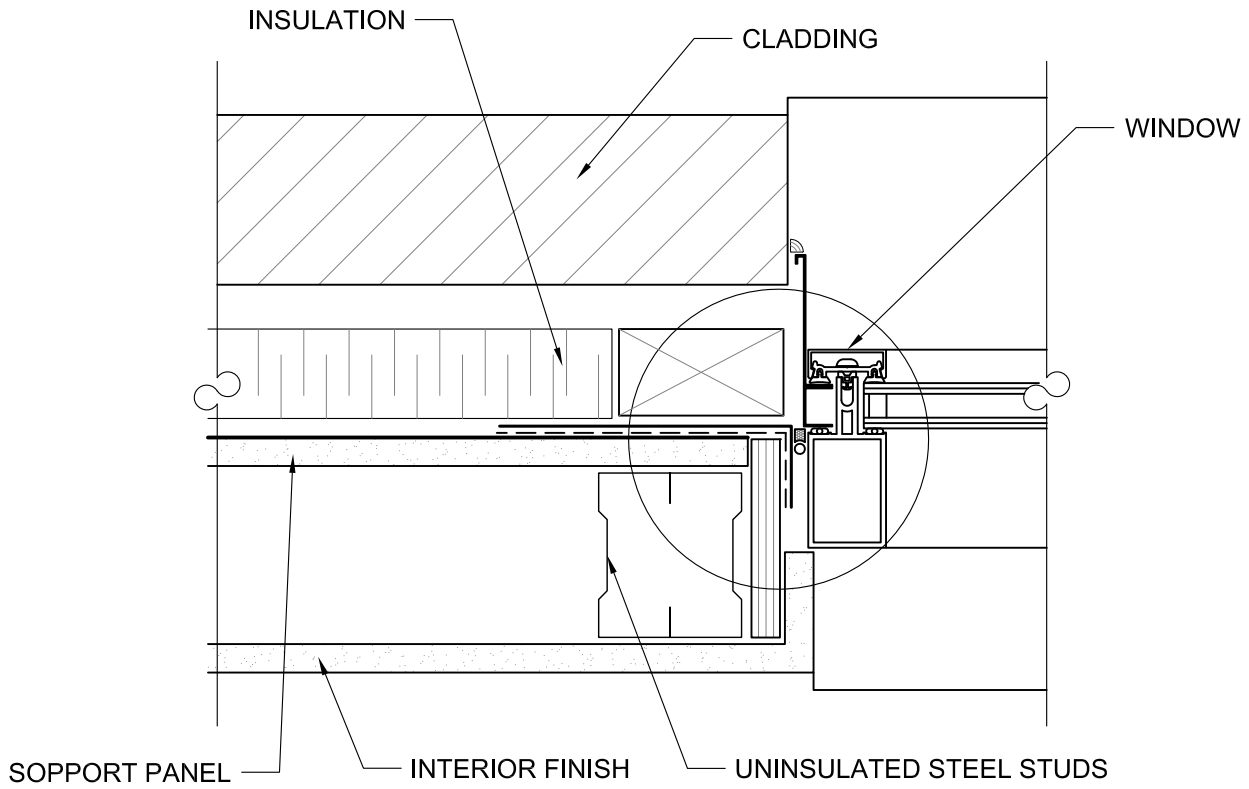
PROJECT:

DRAWING NUMBER:

SCALE: (N.T.S.)

DATE: 2013-06-28

SXG-03



NOTE: WOOD BLOCKING AT OPENINGS IS RECOMMENDED WITH SPRAYED POLYURETHANE INSULATION.

COPYRIGHT SOPREMA



**SOPREMA**

1688, J-B Michaud  
 Drummondville, QC J2C 8E9  
 WWW.SOPREMA.CA

TITLE: WINDOW / WALL

PROJECT:

DRAWING NUMBER:

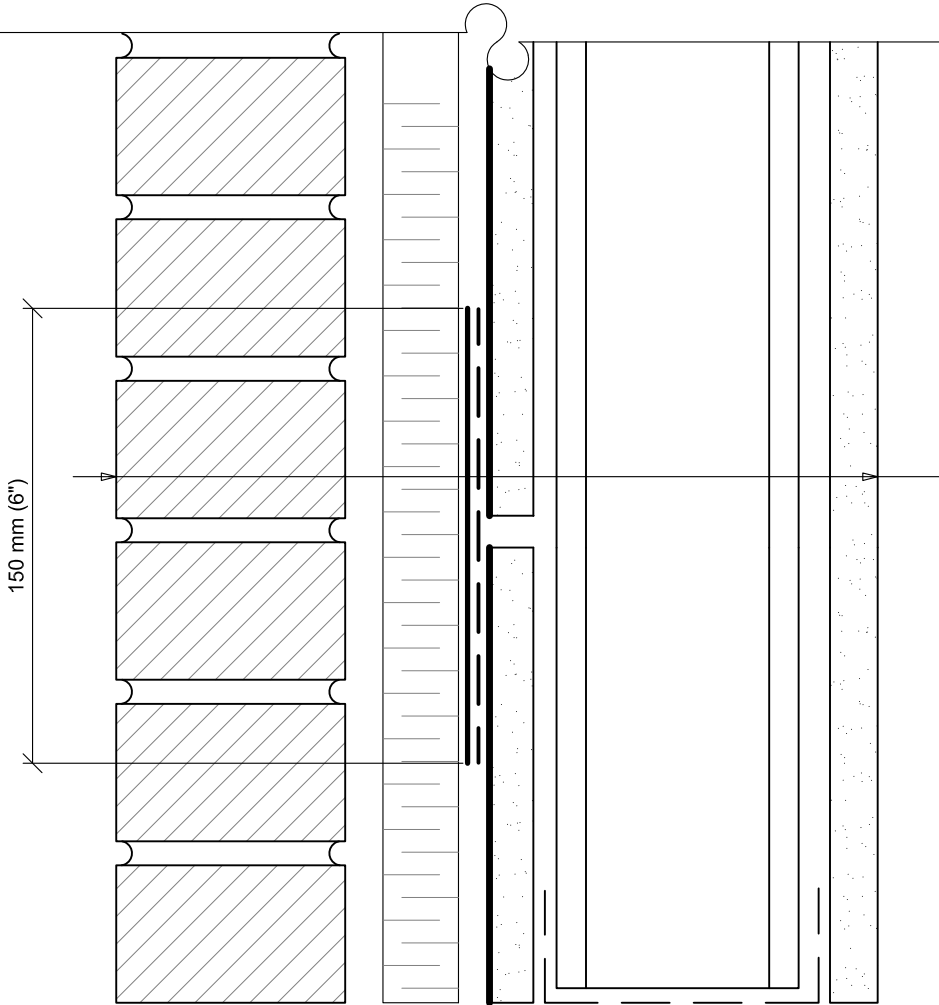
SCALE:

N.T.S.

DATE:

2014-02-25

SXG-04



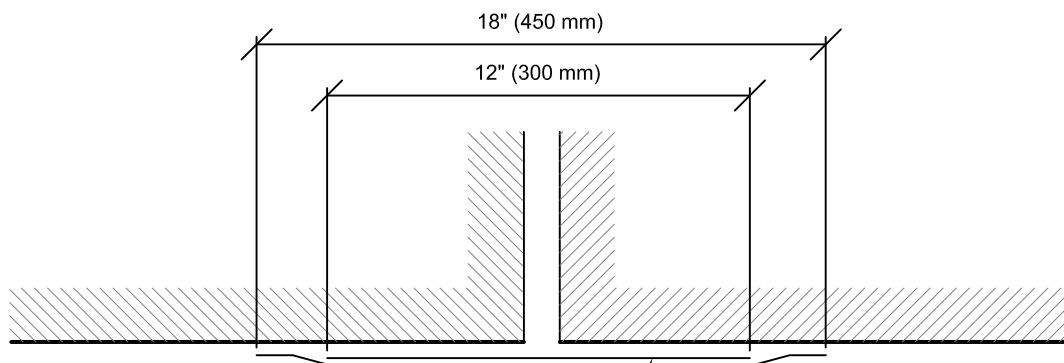
- CLADDING (BRICK)
- AIR SPACE
- INSULATION
- SOPRASEAL WEATHER FLASH
- ELASTOCOL STICK
- SOPRASEAL XPRESS G
- SUPPORT PANEL
- STEEL STUDS
- INTERIOR FINISH

COPYRIGHT 2014 SOPREMA



1688, J-B Michaud  
 Drummondville, QC J2C 8E9  
 WWW.SOPREMA.CA

TITLE:		SUBSTRATE JOINT	
PROJECT:		DRAWING NUMBER:	
SCALE:	(N.T.S.)	DATE:	2014-02-25
			SXG-05



INSTALL A 12" (300 mm) WIDE STRIP OF SOPRASEAL STICK 1100T BY ADHERING THE FIRST FEW INCHES AT THE TOP AND LEAVING THE RELEASE FILM THE REMAINDER OF THE STRIP. OVERLAP END OF STRIPS BY A MINIMUM OF 6" (150 mm).

SOPRASEAL STICK 1100T AIR/VAPOUR BARRIER MEMBRANE

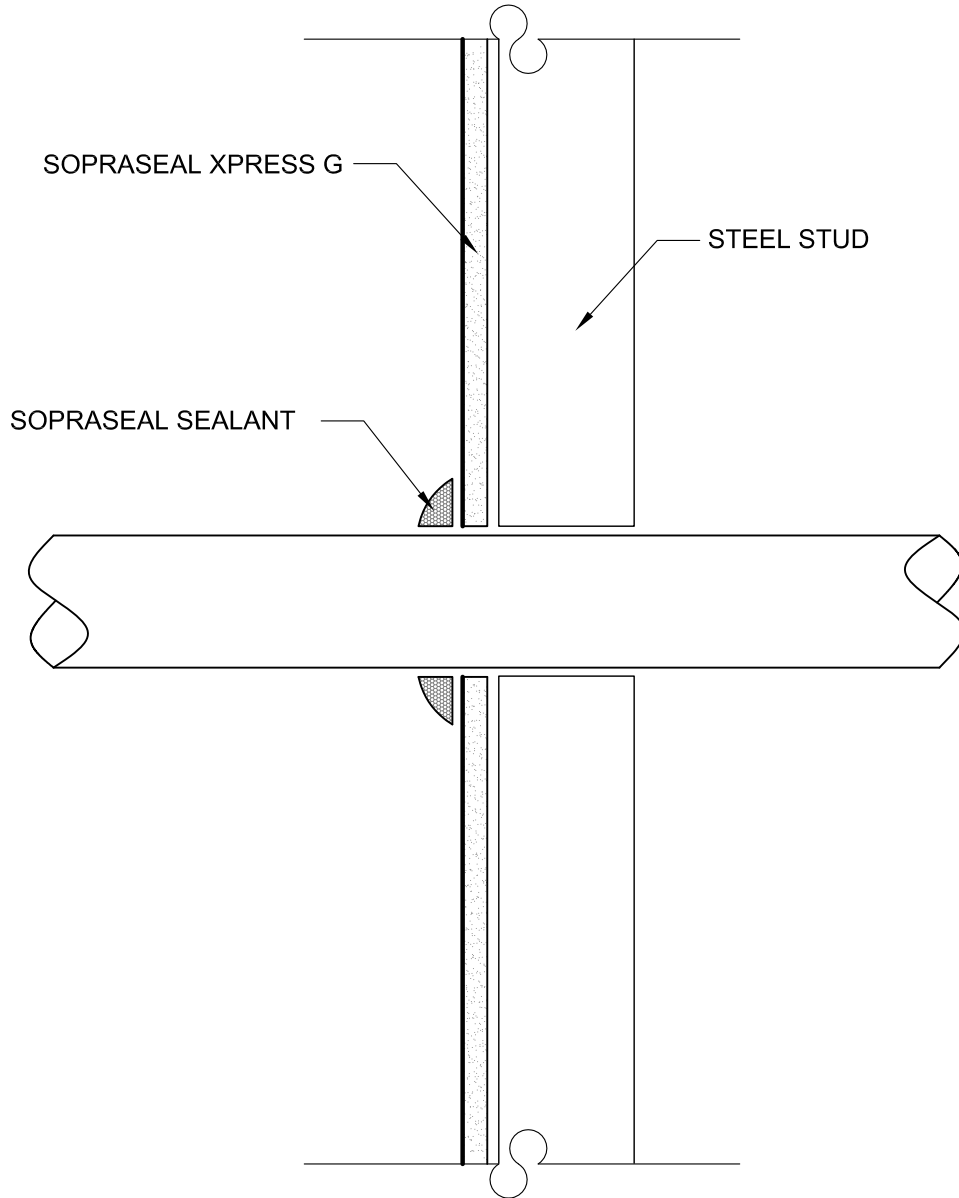
EXPANSION JOINT WITH SELF-ADHESIVE MEMBRANE

COPYRIGHT 2014 SOPREMA



1688, J-B Michaud  
 Drummondville, QC J2C 8E9  
 WWW.SOPREMA.CA

TITLE:		EXPANSION JOINT	
PROJECT:		DRAWING NUMBER:	
SCALE:	N.T.S.	DATE:	2014-02-25
			SXG-08



COPYRIGHT 2014 SOPREMA



**SOPREMA**

1688, J-B Michaud  
 Drummondville, QC J2C 8E9  
 WWW.SOPREMA.CA

TITLE:		SOPRASEAL XPRESS G	
PROJECT:	PIPE PENETRATION	DRAWING NUMBER:	
SCALE:	N.T.S.	DATE:	2014-02-20
			SXG-09

Note: This detail or sketch is based on the verbal and/or graphic information supplied to SOPREMA and is submitted for the sole purpose of making suggestion or recommendations concerning the application of SOPREMA's product. SOPREMA believes the designs of construction, which receive the products, are best left to owners, architects and/or contractors.