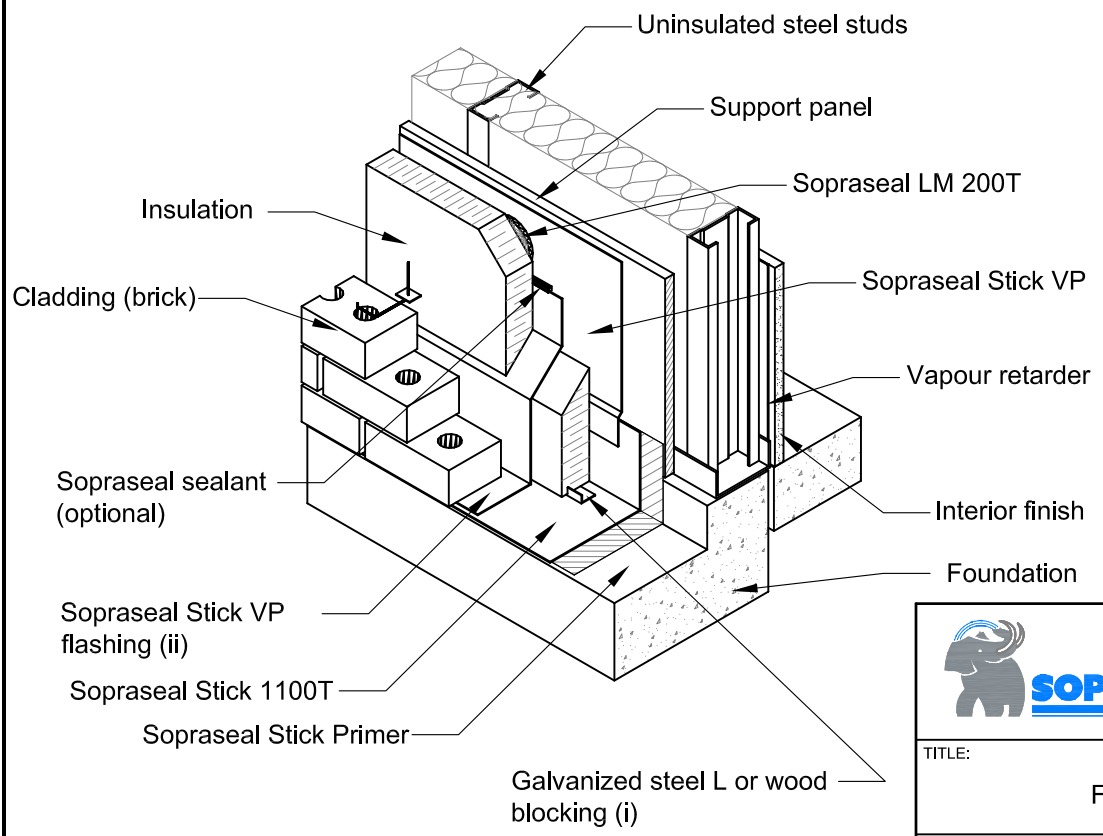


(i) Required with sprayed polyurethane foam applied on self-adhesive membranes, under certain conditions. See a Soprema representative

(ii) Required with moisture sensitive insulation.

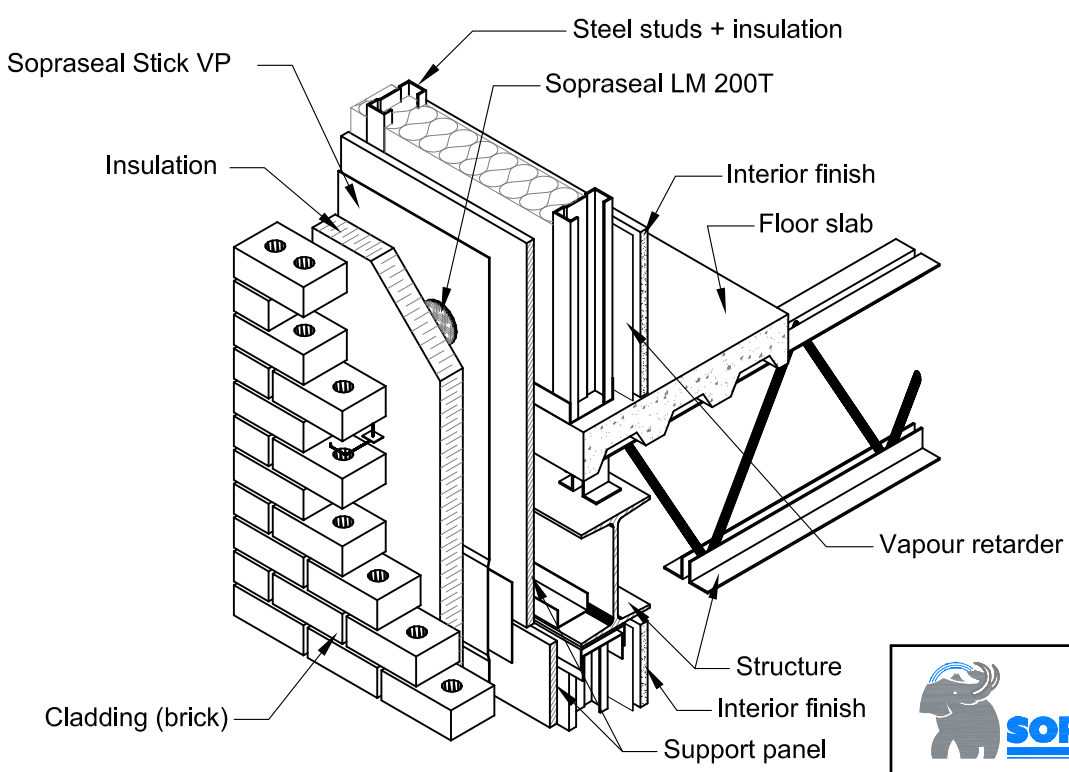
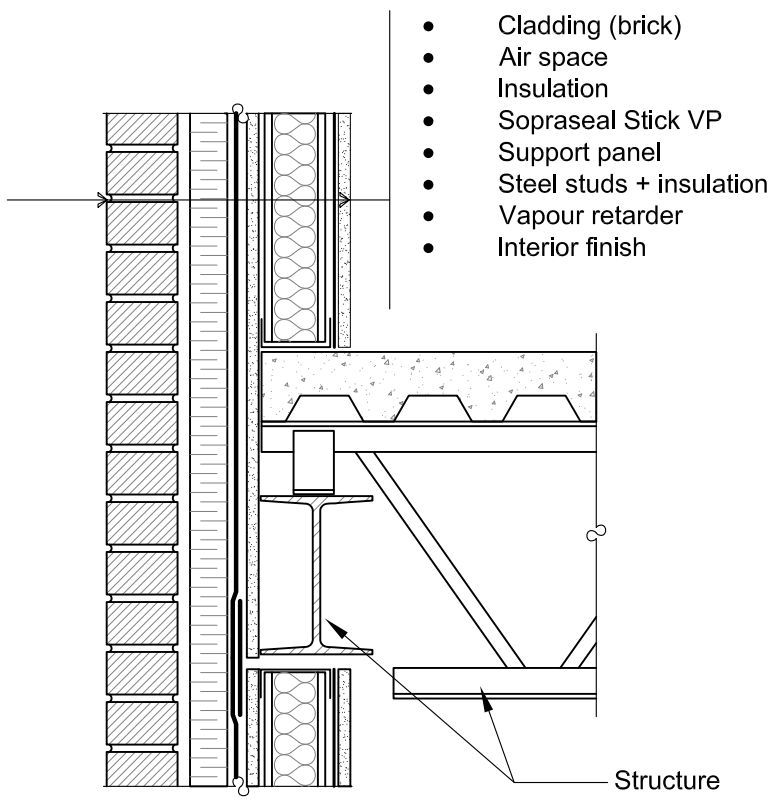


COPYRIGHT 2015 SOPREMA



1688, J-B Michaud  
 Drummondville, QC J2C 8E9  
 WWW.SOPREMA.CA

TITLE:			STEEL STUD WALL FOUNDATION JUNCTION		
PROJECT:		DRAWING NUMBER:			
SCALE:	N.T.S.	DATE:	March 2015	VPAB01	

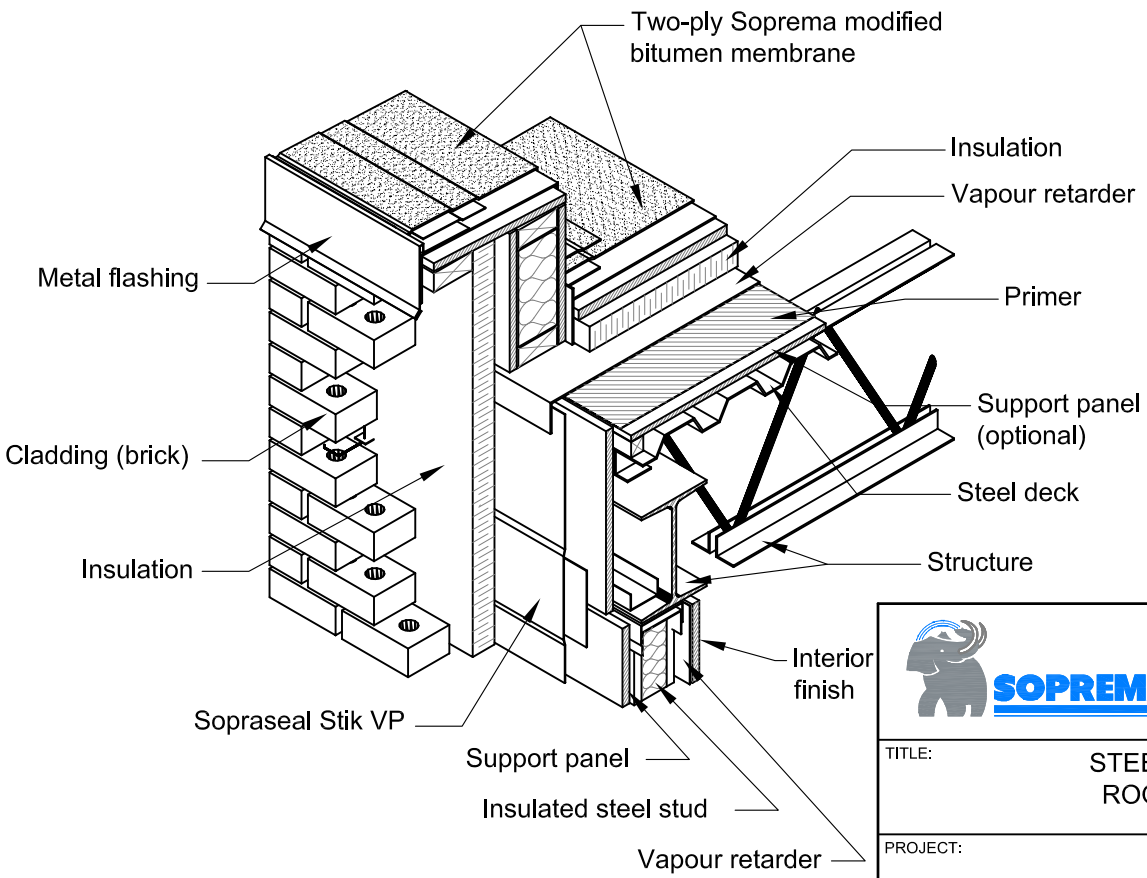
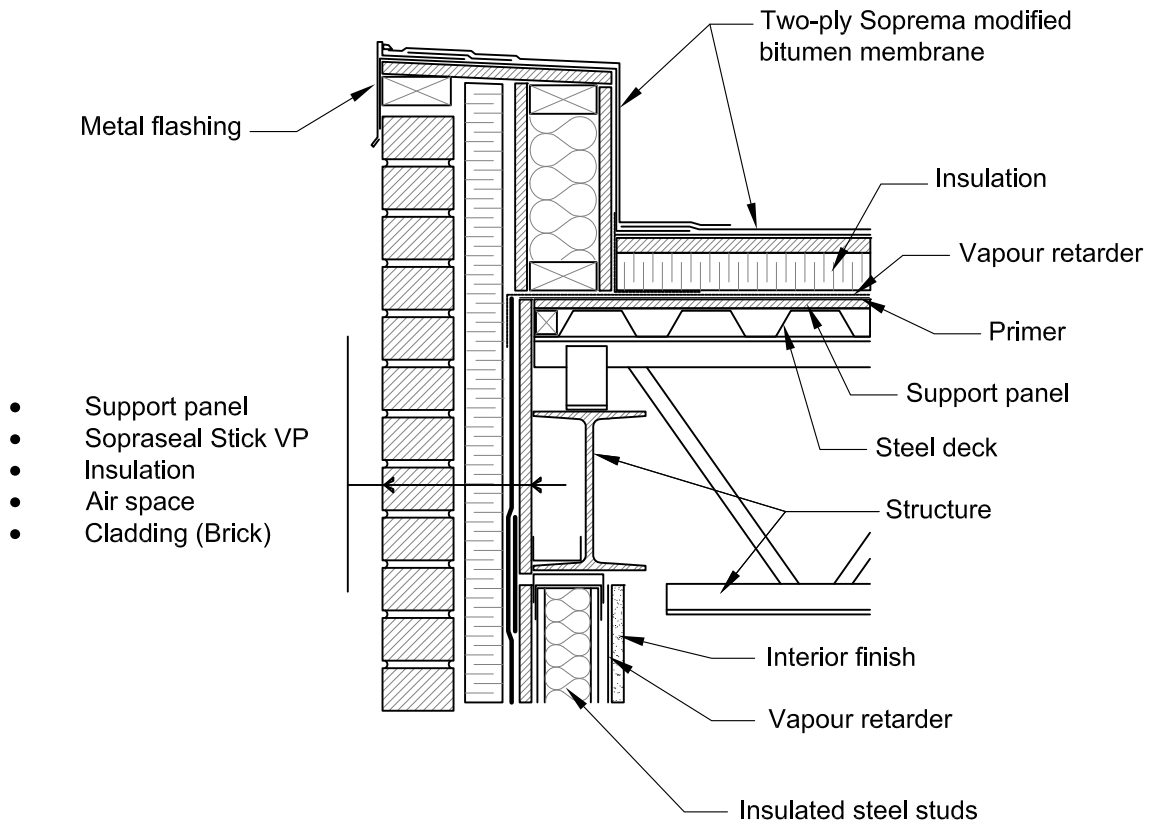


COPYRIGHT 2015 SOPREMA



1688, J-B Michaud  
 Drummondville, QC J2C 8E9  
 WWW.SOPREMA.CA

TITLE:		STEEL STUD WALL FLOOR JUNCTION	
PROJECT:		DRAWING NUMBER:	
SCALE:	N.T.S.	DATE:	Mars 2015
			VPAB02



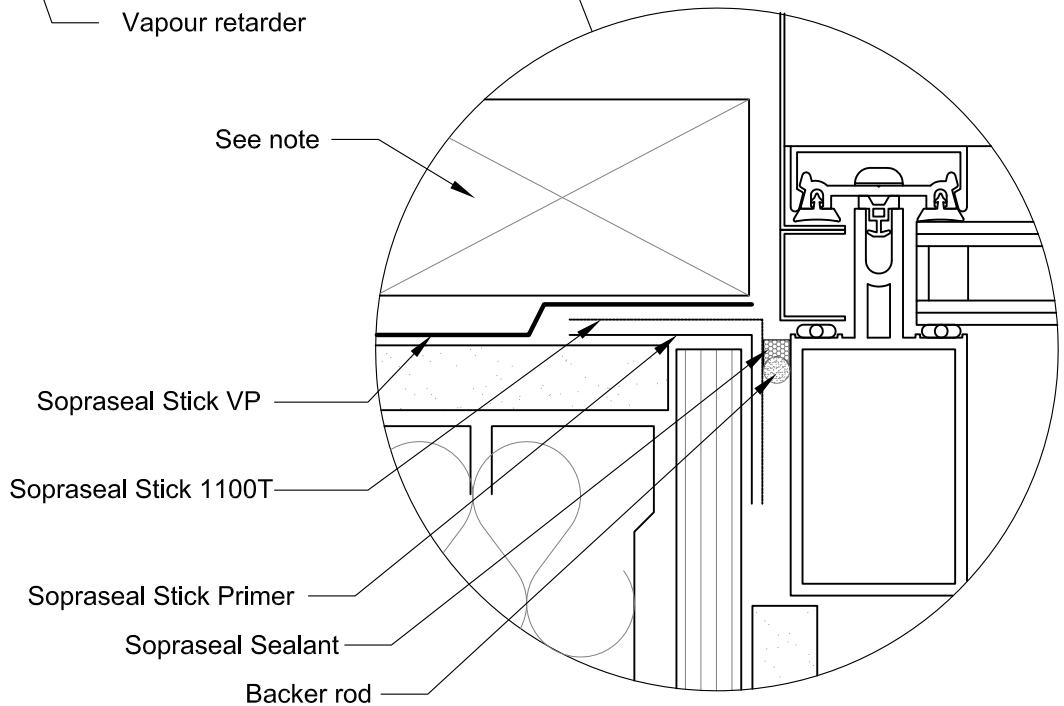
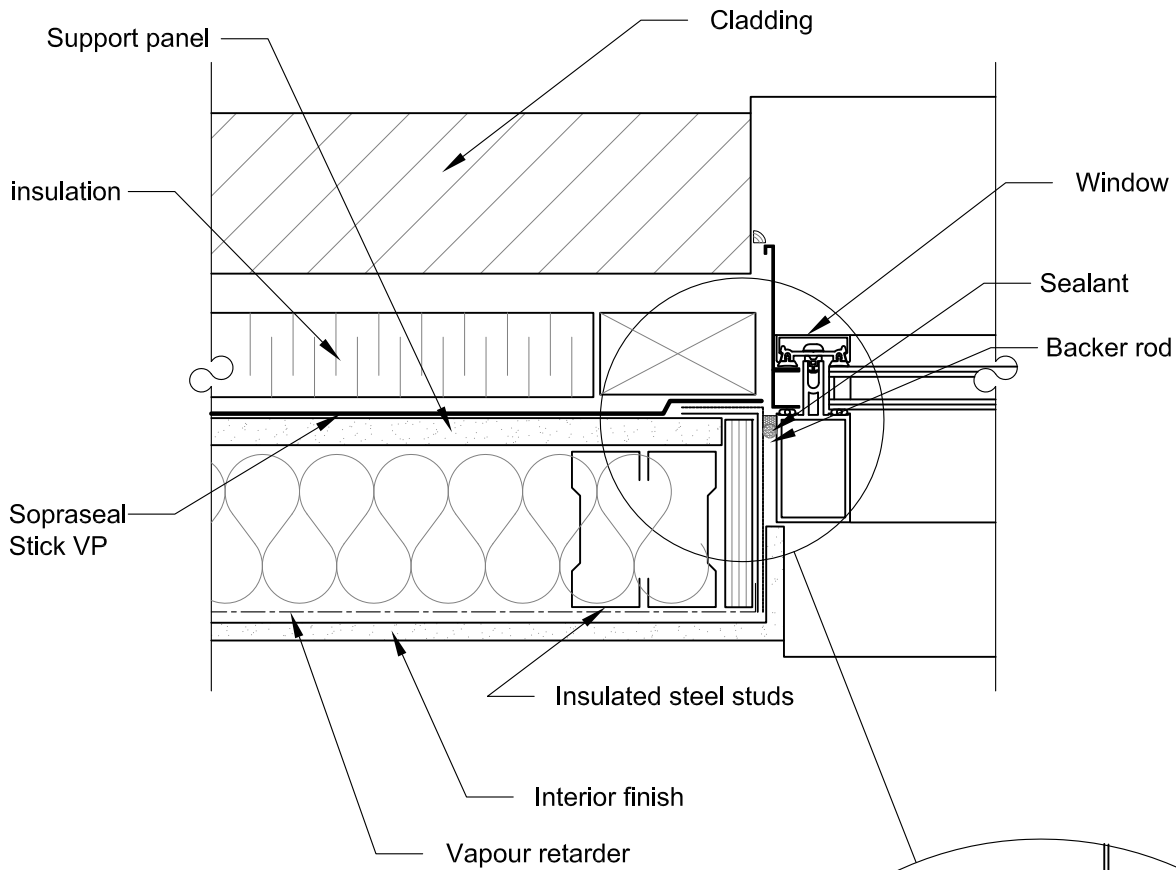
COPYRIGHT 2015 SOPREMA



**SOPREMA**

1688, J-B Michaud  
 Drummondville, QC J2C 8E9  
 WWW.SOPREMA.CA

TITLE:		STEEL STUD WALL ROOF JUNCTION	
PROJECT:		DRAWING NUMBER:	
SCALE:	N.T.S.	DATE:	March 2015
			VPAB03



COPYRIGHT 2015 SOPREMA



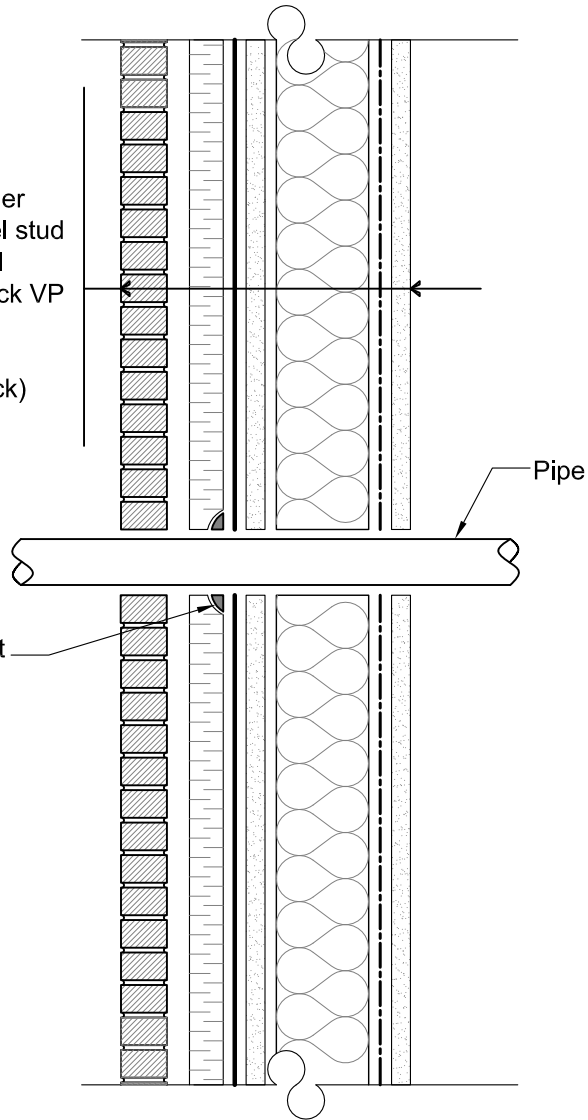
**SOPREMA**

1688, J-B Michaud  
 Drummondville, QC J2C 8E9  
 WWW.SOPREMA.CA

TITLE:		WINDOW	
PROJECT:		DRAWING NUMBER:	
SCALE:	N.T.S.	DATE:	March 2015
			VPAB04

Note: Wood blocking at openings is recommended with sprayed polyurethane insulation.

- Interior finish
- Vapour retarder
- Insulated steel stud
- Support panel
- Sopraseal Stick VP
- Insulation
- Air space
- Cladding (Brick)



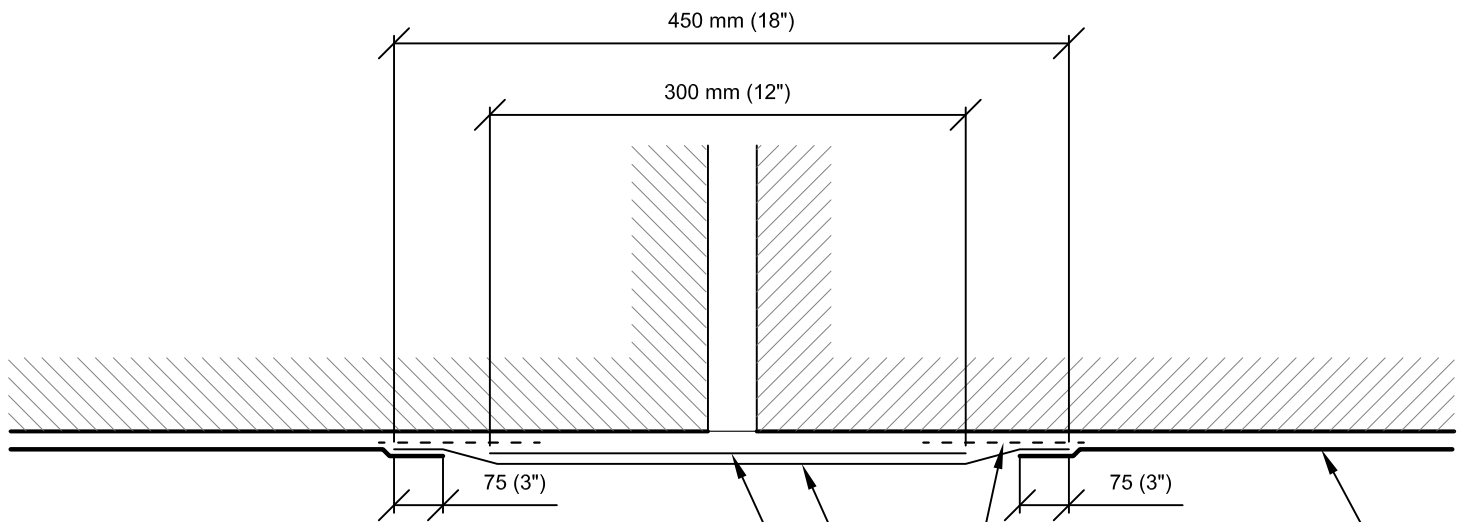
COPYRIGHT 2015 SOPREMA



**SOPREMA**

1688, J-B Michaud  
 Drummondville, QC J2C 8E9  
 WWW.SOPREMA.CA

TITLE:		PIPE PENETRATION	
PROJECT:		DRAWING NUMBER:	
SCALE:	N.T.S.	DATE:	March 2015
			VPAB05



Install a 12" (300 mm) wide strip of Soprased Stick 1100T by adhering the first few inches at the top and leaving the release film the remainder of the strip. Overlap end of strips by a minimum of 6" (150 mm)

Soprased Stick 1100T (fully adhered)

Soprased Stick VP

Soprased Stick Primer

COPYRIGHT 2015 SOPREMA



**SOPREMA**

1688, J-B Michaud  
 Drummondville, QC J2C 8E9  
 WWW.SOPREMA.CA

TITLE: EXPANSION JOINT

PROJECT: DRAWING NUMBER:

SCALE: N.T.S DATE: March 2015

VPAB06