

COPYRIGHT 2016 SOPREMA



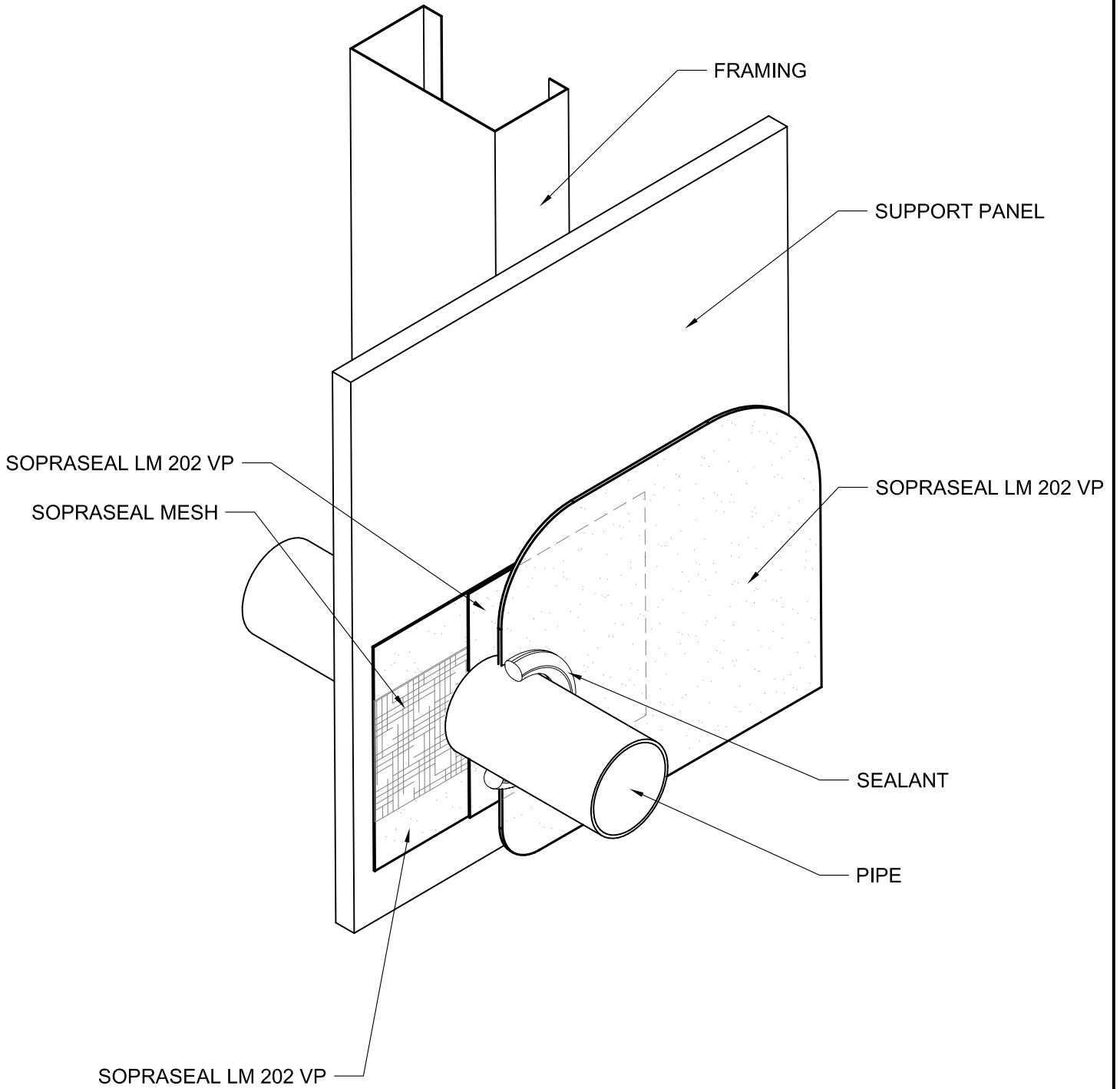
SOPREMA

1688, J-B Michaud
 Drummondville, QC J2C 8E9
 WWW.SOPREMA.CA

TITLE: TYPICAL SUPPORT PANEL JOINTS

PROJECT: DRAWING NUMBER:

SCALE: N.T.S. DATE: JUNE 2016 VPAB08



COPYRIGHT 2016 SOPREMA



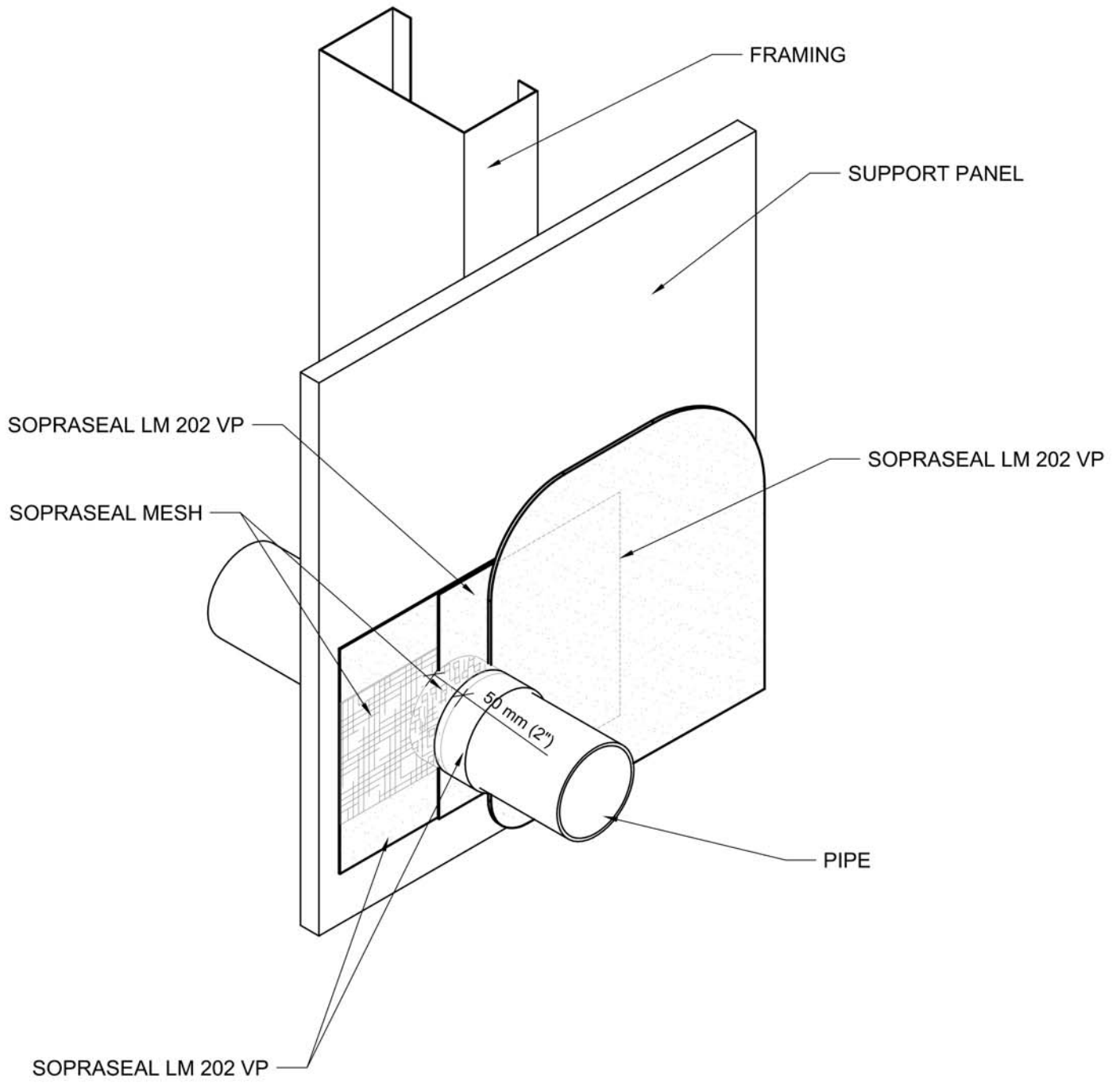
SOPREMA

1688, J-B Michaud
 Drummondville, QC J2C 8E9
 WWW.SOPREMA.CA

TITLE: TYPICAL PENETRATION THROUGH WALL CONSTRUCTION WITH SEALANT

PROJECT: DRAWING NUMBER:

SCALE: N.T.S. DATE: JUNE 2016 VPAB14



COPYRIGHT 2016 SOPREMA



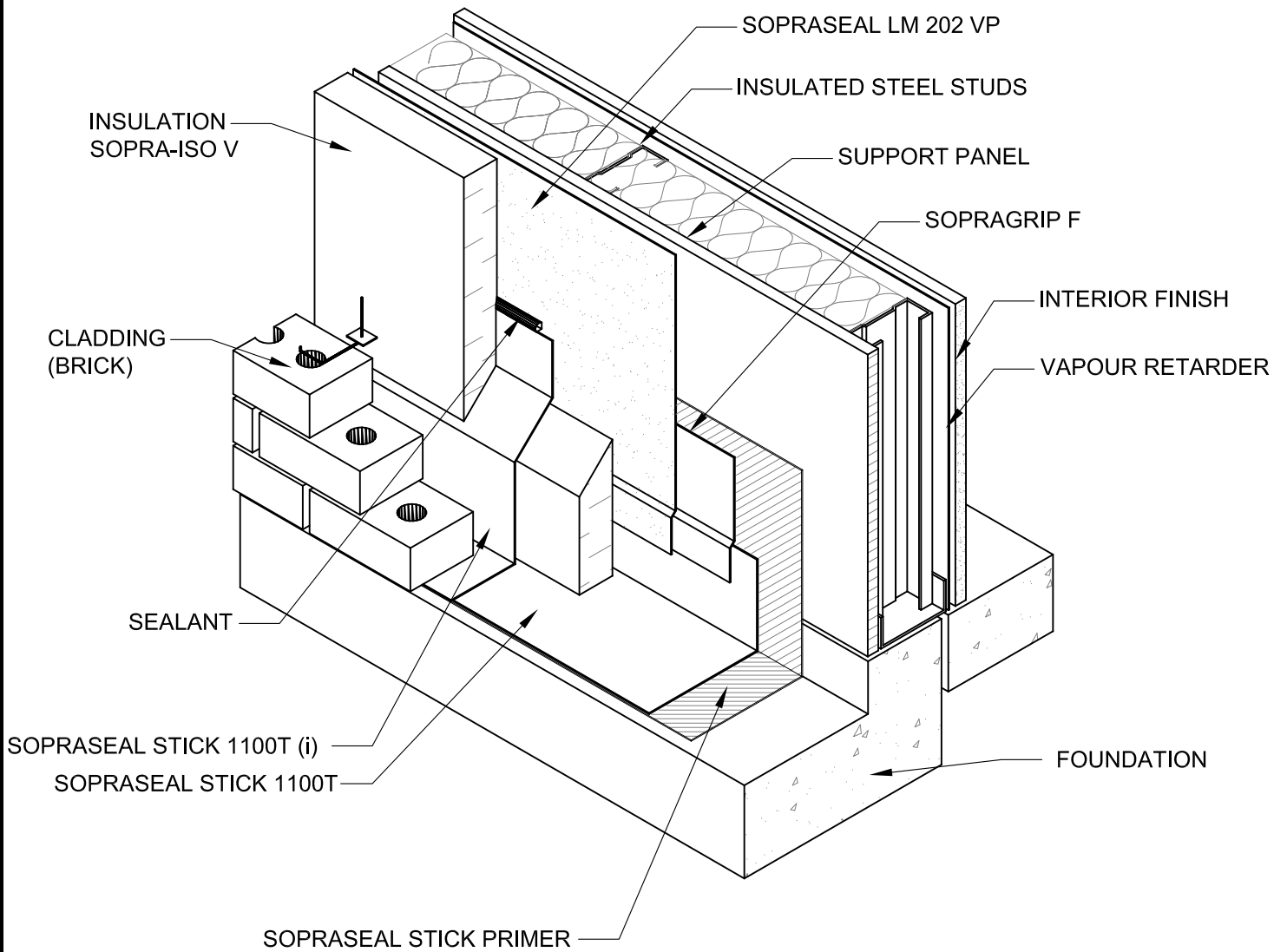
SOPREMA

1688, J-B Michaud
 Drummondville, QC J2C 8E9
 WWW.SOPREMA.CA

TITLE: TYPICAL PENETRATION TROUGH
 WALL CONSTRUCTION (MESH ONLY)

PROJECT: _____ DRAWING NUMBER: _____

SCALE: N.T.S. DATE: JUNE 2016 VPAB13



COPYRIGHT 2016 SOPREMA



SOPREMA

1688, J-B Michaud
 Drummondville, QC J2C 8E9
 WWW.SOPREMA.CA

TITLE: **STEEL STUD WALL
 FOUNDATION JUNCTION**

PROJECT:

DRAWING NUMBER:

SCALE:

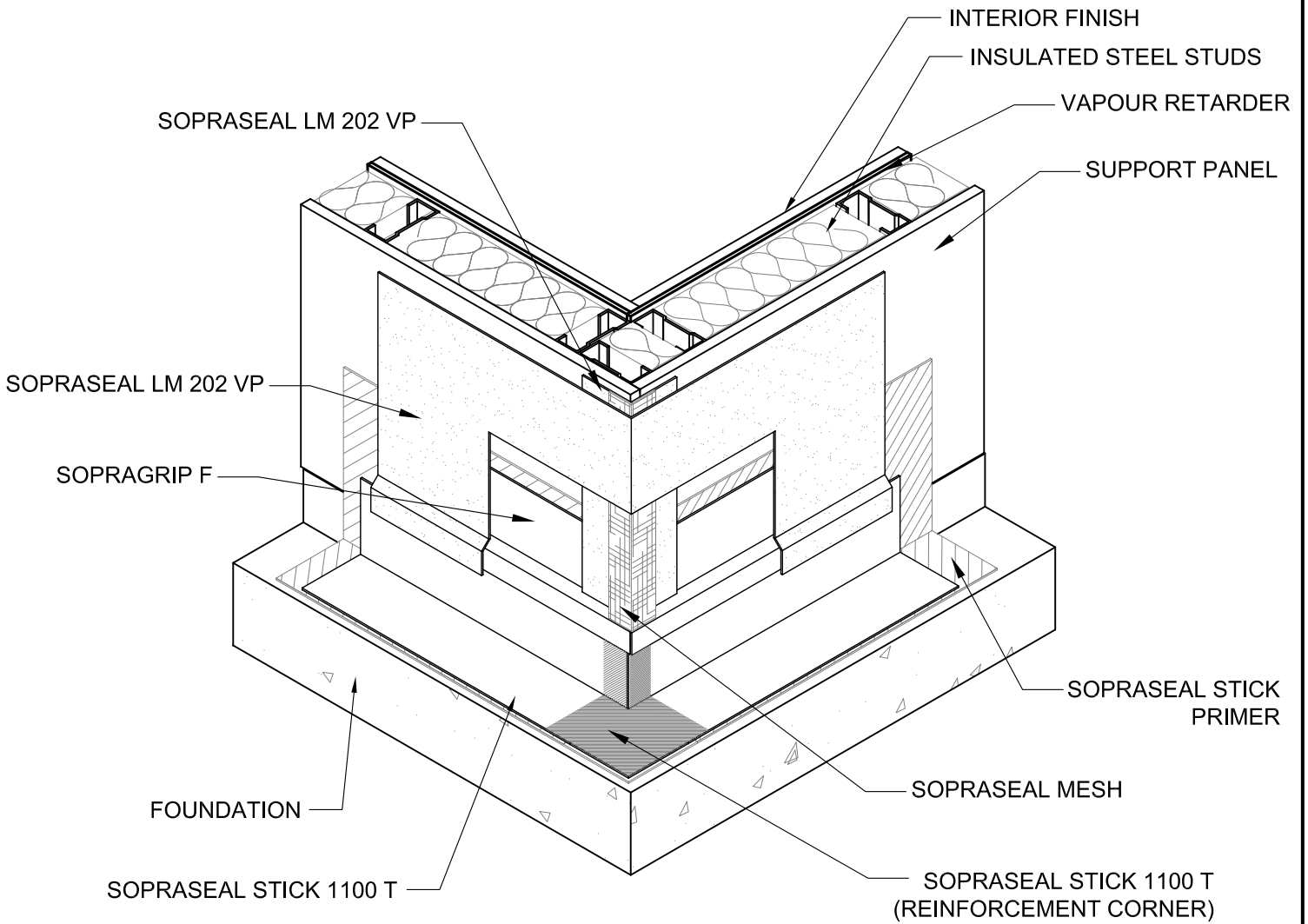
N.T.S.

DATE:

APRIL 2016

VPAB12

(i) REQUIRED WITH MOISTURE SENSITIVE INSULATION.



COPYRIGHT 2016 SOPREMA



SOPREMA

1688, J-B Michaud
 Drummondville, QC J2C 8E9
 WWW.SOPREMA.CA

TITLE: TYPICAL OUTSIDE CORNER

PROJECT:

DRAWING NUMBER:

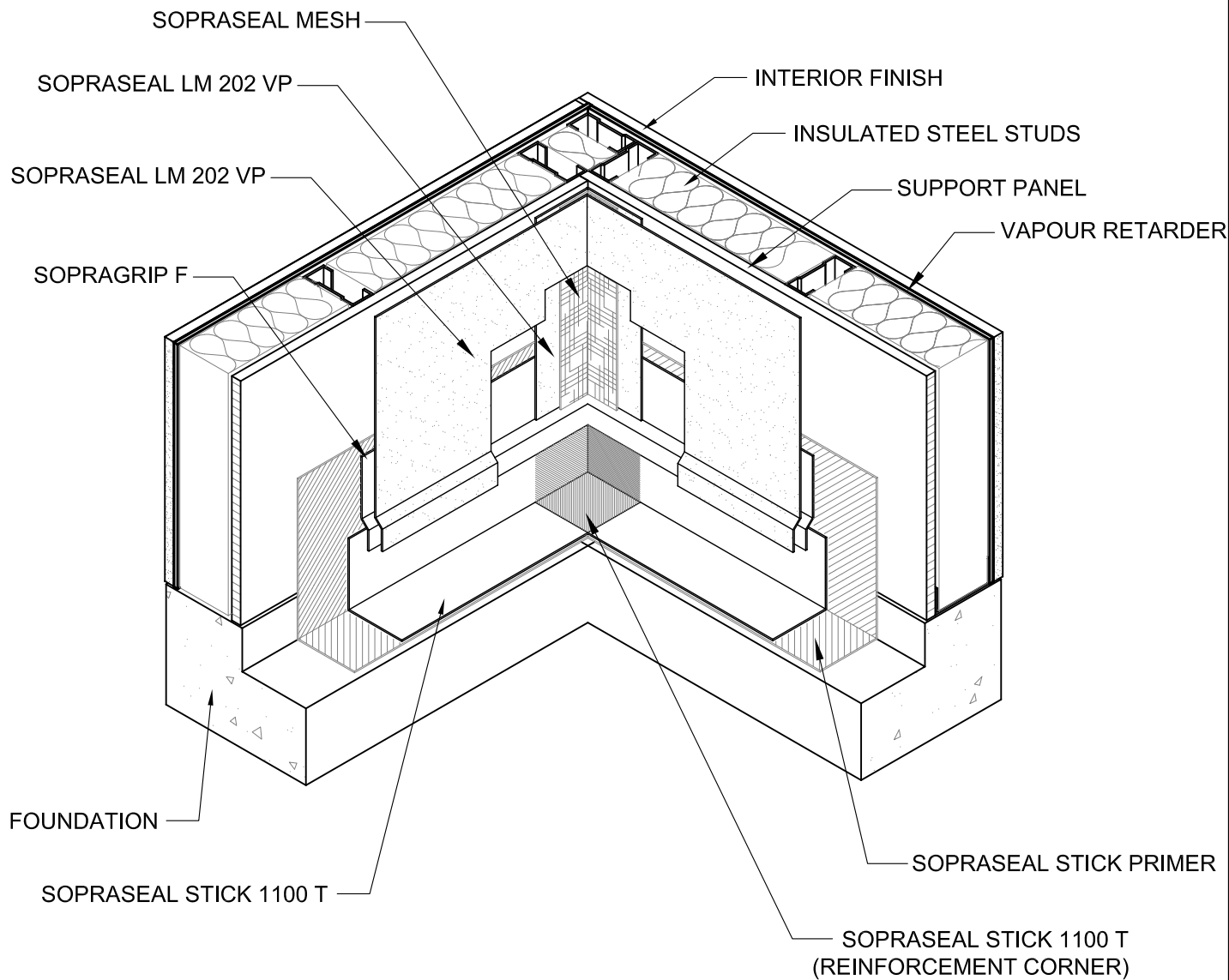
SCALE:

N.T.S.

DATE:

JUNE 2016

VPAB11



COPYRIGHT 2016 SOPREMA



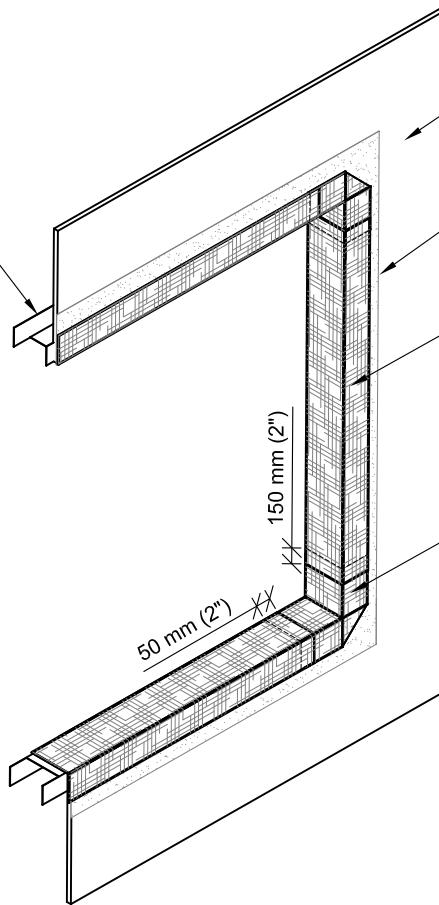
SOPREMA

1688, J-B Michaud
 Drummondville, QC J2C 8E9
 WWW.SOPREMA.CA

TITLE: TYPICAL INSIDE CORNER

PROJECT:		DRAWING NUMBER:
SCALE:	DATE:	VPAB10
N.T.S.	JUNE 2016	

FRAMING



SUPPORT PANEL

SOPRASEAL LM 202 VP

SOPRASEAL MESH

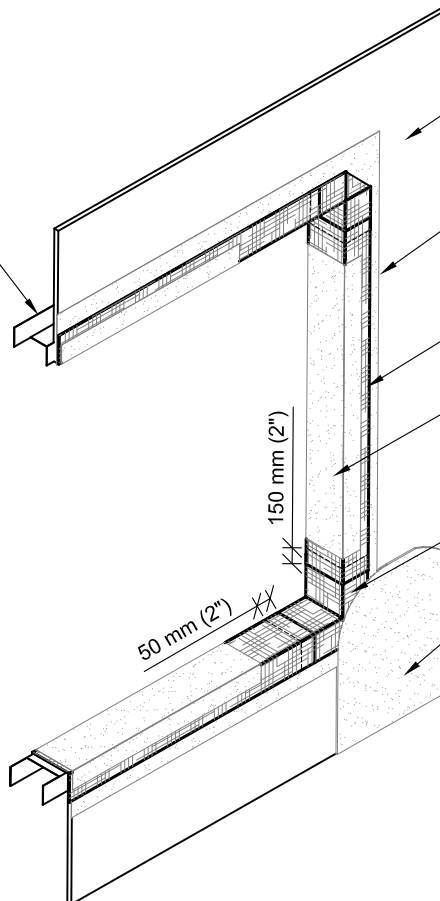
SOPRASEAL QUICK CORNERS

50 mm (2")

150 mm (2")

STEP 1

FRAMING



SUPPORT PANEL

SOPRASEAL LM 202 VP

SOPRASEAL MESH

SOPRASEAL LM 202 VP

SOPRASEAL QUICK CORNERS

SOPRASEAL LM 202 VP

50 mm (2")

150 mm (2")

STEP 2

COPYRIGHT 2016 SOPREMA



SOPREMA

1688, J-B Michaud
 Drummondville, QC J2C 8E9
 WWW.SOPREMA.CA

TITLE: TYPICAL ROUGH OPENING CORNER
 TREATMENT WITH SOPRASEAL MESH

PROJECT: _____ DRAWING NUMBER: _____

SCALE: N.T.S. DATE: JUNE 2016 VPAB09