

COPYRIGHT 2016 SOPREMA

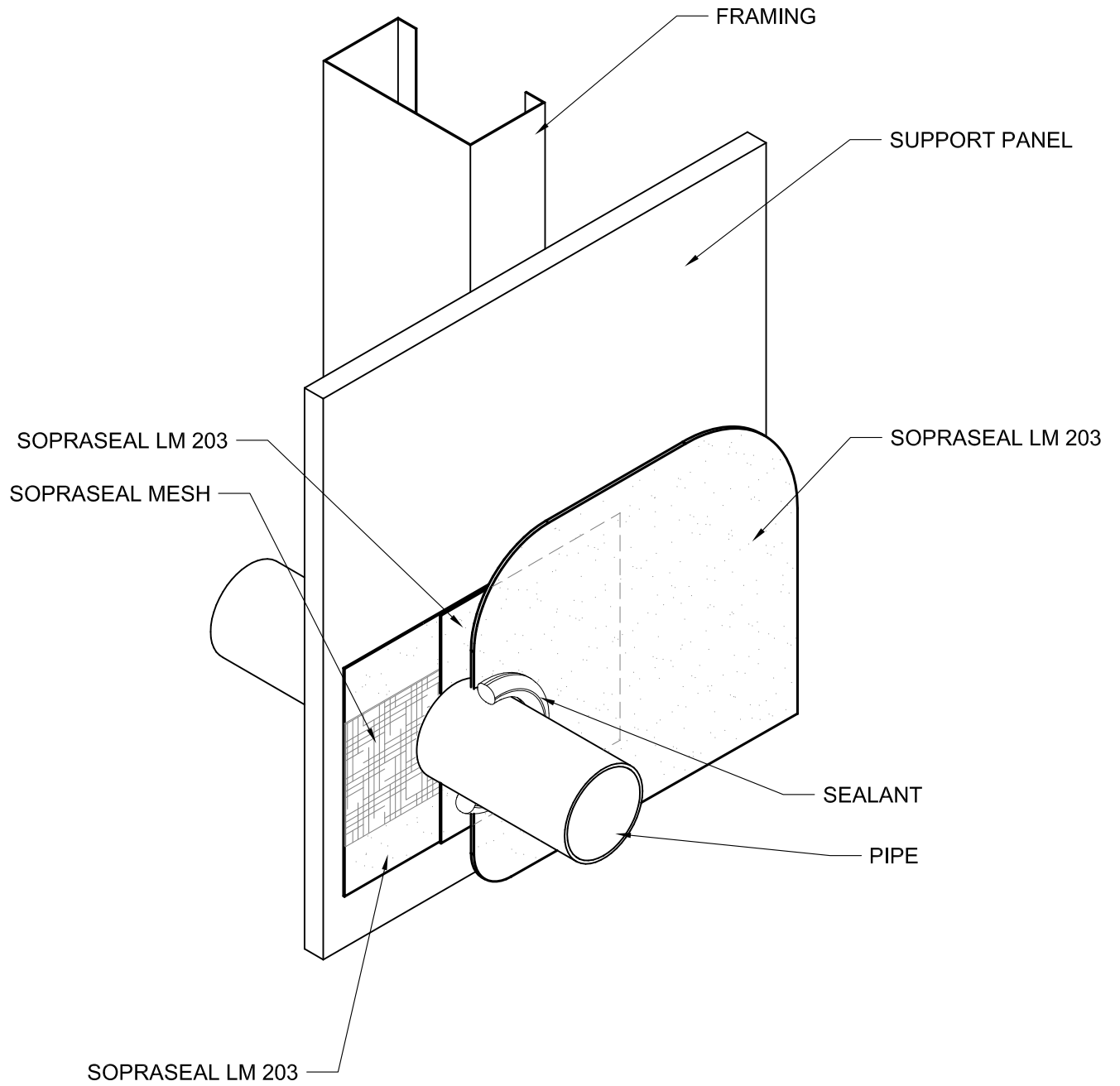


**SOPREMA**

1688, J-B Michaud  
 Drummondville, QC J2C 8E9  
 WWW.SOPREMA.CA

TITLE: TYPICAL SUPPORT PANEL JOINTS

PROJECT:		DRAWING NUMBER:	
SCALE:	DATE:	PAR14	
N.T.S.	JUNE 2016		



COPYRIGHT 2016 SOPREMA



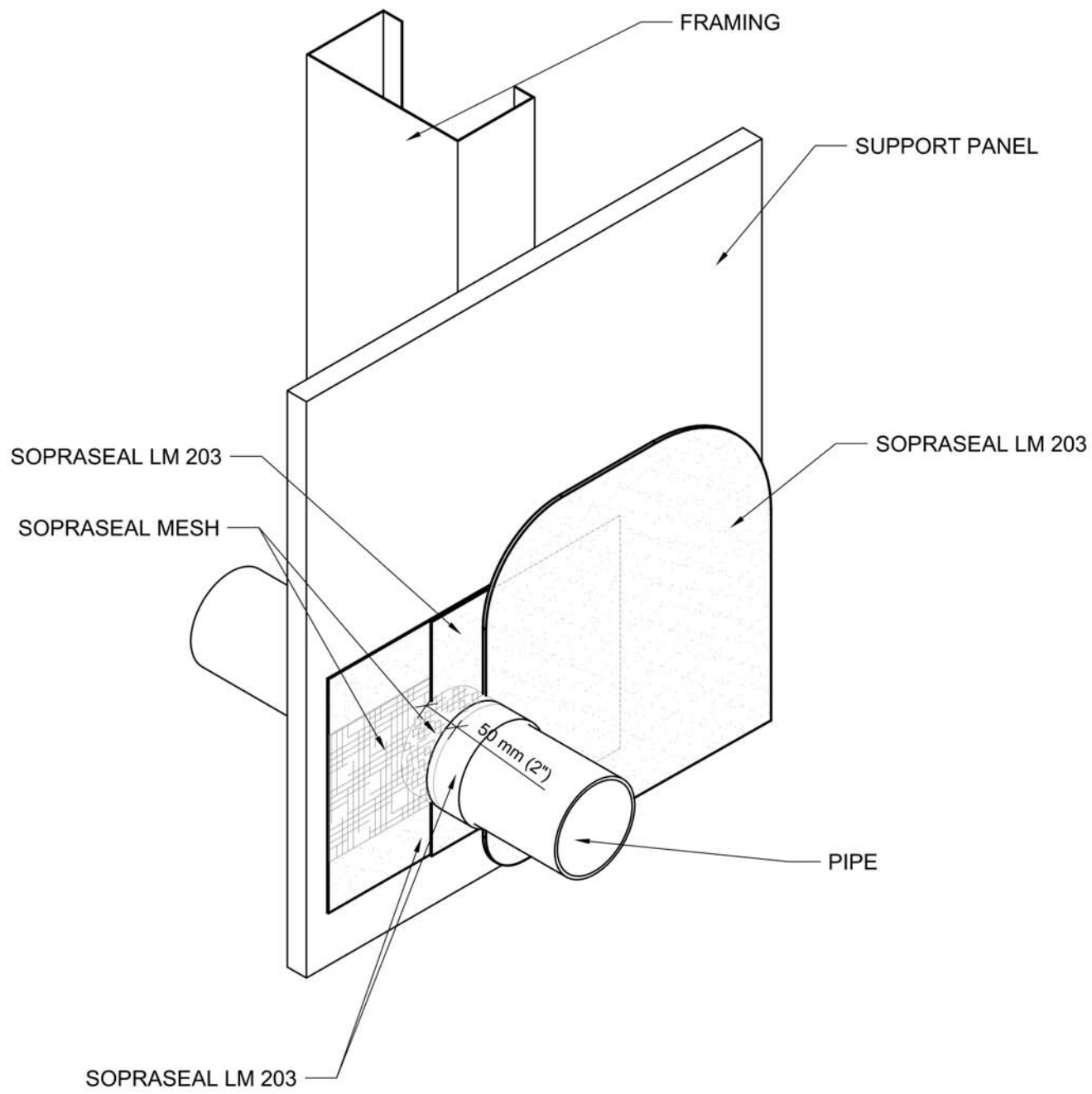
**SOPREMA**

1688, J-B Michaud  
 Drummondville, QC J2C 8E9  
 WWW.SOPREMA.CA

TITLE: TYPICAL PENETRATION THROUGH  
 WALL CONSTRUCTION WITH SEALANT

PROJECT: DRAWING NUMBER:

SCALE: N.T.S. DATE: JUNE 2016 PAR20



COPYRIGHT 2016 SOPREMA



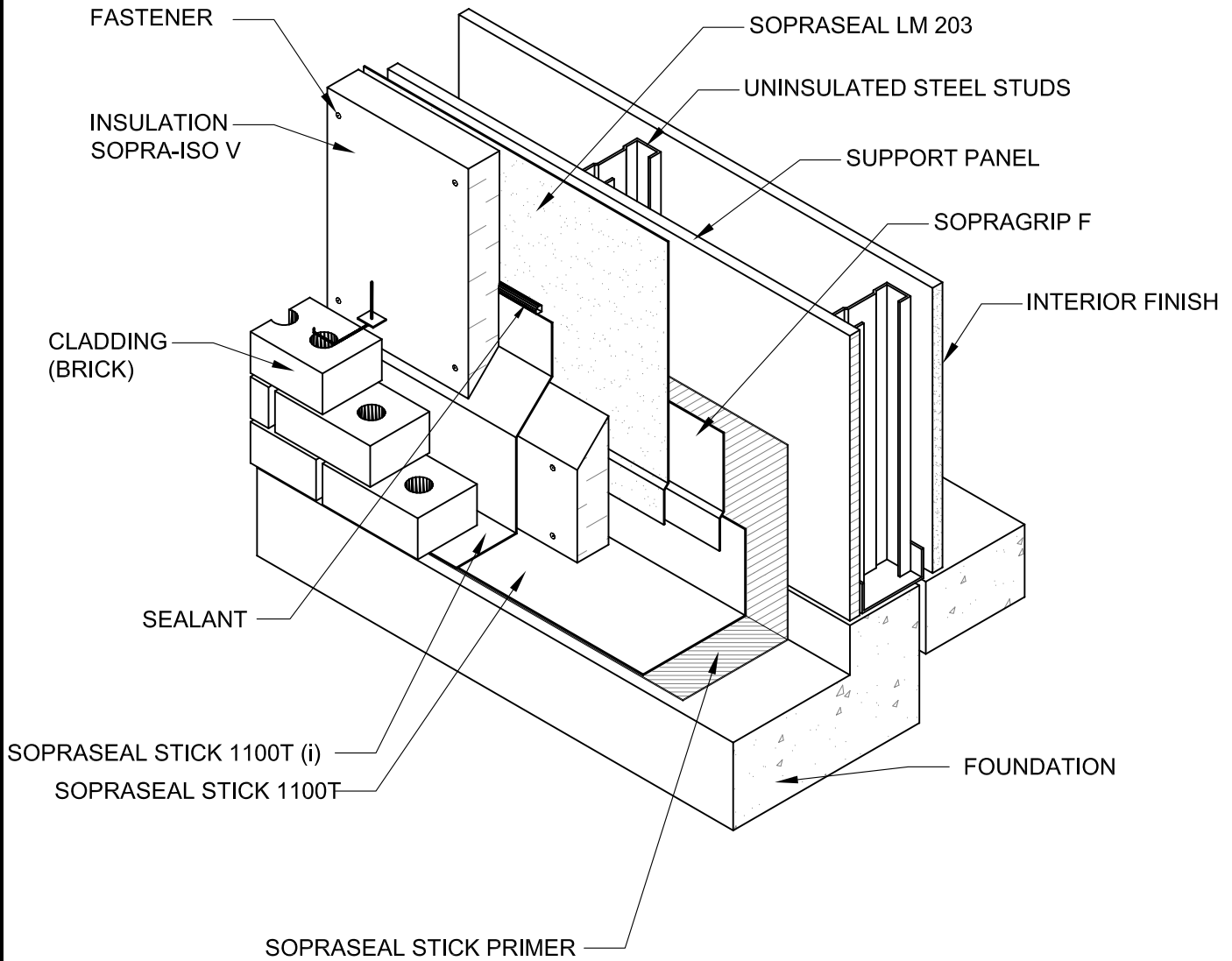
**SOPREMA**

1688, J-B Michaud  
 Drummondville, QC J2C 8E9  
 WWW.SOPREMA.CA

TITLE: TYPICAL PENETRATION TROUGH WALL CONSTRUCTION (MESH ONLY)

PROJECT: \_\_\_\_\_ DRAWING NUMBER: \_\_\_\_\_

SCALE: N.T.S. DATE: JUNE 2016 PAR19



COPYRIGHT 2016 SOPREMA



**SOPREMA**

1688, J-B Michaud  
 Drummondville, QC J2C 8E9  
 WWW.SOPREMA.CA

TITLE: **STEEL STUD WALL  
 FOUNDATION JUNCTION**

PROJECT:

DRAWING NUMBER:

SCALE:

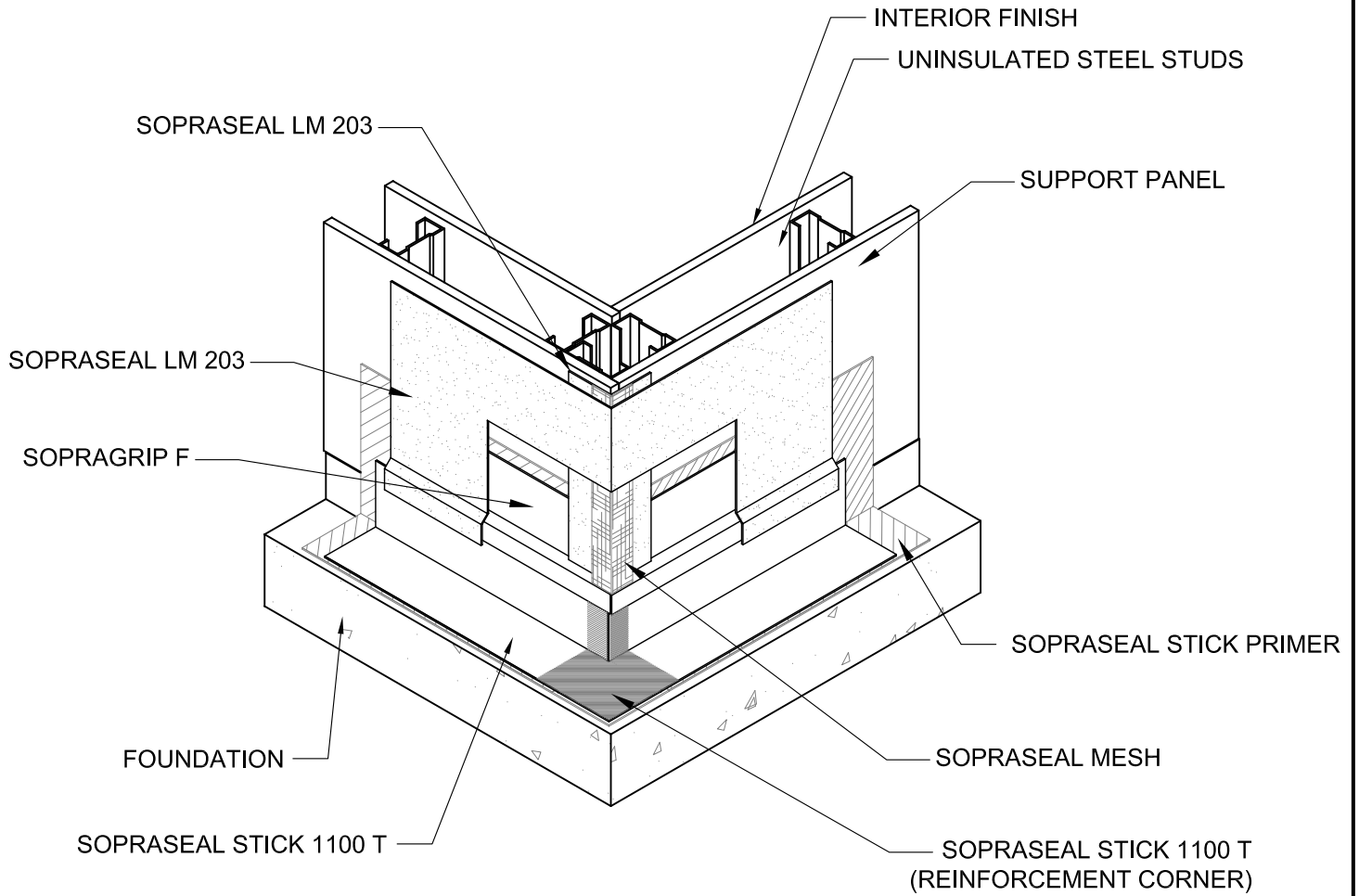
N.T.S.

DATE:

JUNE 2016

PAR18

(i) REQUIRED WITH MOISTURE SENSITIVE INSULATION.



COPYRIGHT 2016 SOPREMA



**SOPREMA**

1688, J-B Michaud  
 Drummondville, QC J2C 8E9  
 WWW.SOPREMA.CA

TITLE: TYPICAL OUTSIDE CORNER

PROJECT:

DRAWING NUMBER:

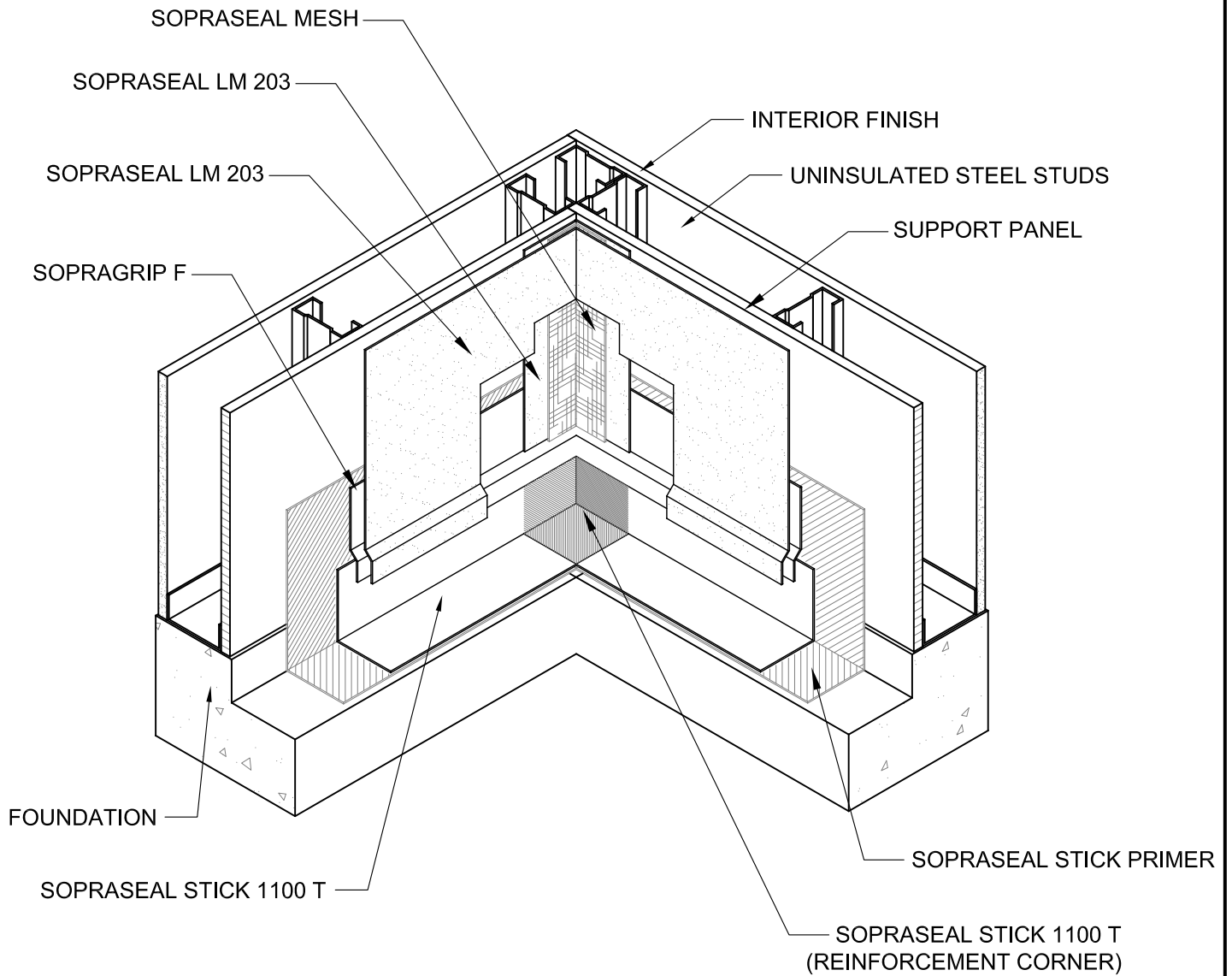
SCALE:

N.T.S.

DATE:

JUNE 2016

PAR17



COPYRIGHT 2016 SOPREMA

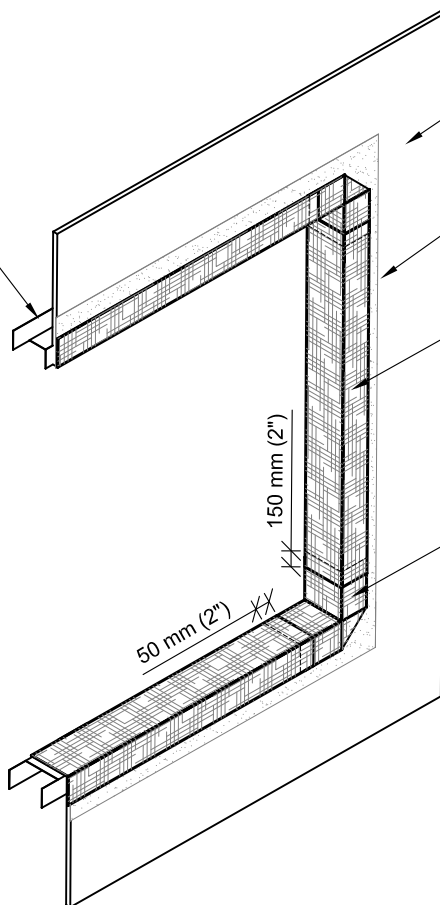


**SOPREMA**

1688, J-B Michaud  
 Drummondville, QC J2C 8E9  
 WWW.SOPREMA.CA

TITLE:		TYPICAL INSIDE CORNER	
PROJECT:		DRAWING NUMBER:	
SCALE:	N.T.S.	DATE:	JUNE 2016
			PAR16

FRAMING



SUPPORT PANEL

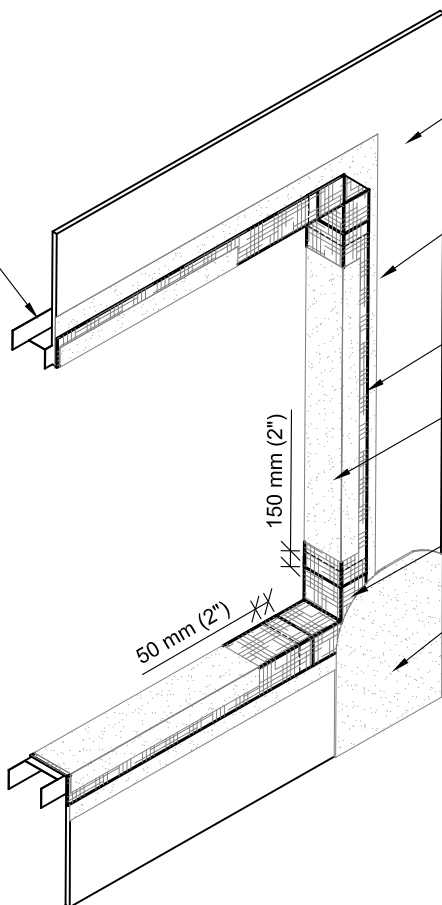
SOPRASEAL LM 203

SOPRASEAL MESH

SOPRASEAL QUICK CORNERS

STEP 1

FRAMING



SUPPORT PANEL

SOPRASEAL LM 203

SOPRASEAL MESH

SOPRASEAL LM 203

SOPRASEAL QUICK CORNERS

SOPRASEAL LM 203

STEP 2

COPYRIGHT 2016 SOPREMA



**SOPREMA**

1688, J-B Michaud  
 Drummondville, QC J2C 8E9  
 WWW.SOPREMA.CA

TITLE: TYPICAL ROUGH OPENING CORNER  
 TREATMENT WITH SOPRASEAL MESH

PROJECT: DRAWING NUMBER:

SCALE: N.T.S. DATE: JUNE 2016 PAR15